

KOMATSU[®]

C93

Forestry Quality™

C93

HARVESTING HEAD



Stronger, smarter and more profitable

A highly productive, allround head for thinning that provides you with extra benefits through industry-leading experience and innovation. This is a good description of our new head, the Komatsu C93.

The C93 namely has a chassis construction like the popular 365, which ensures high fundamental quality and dependability. Moreover, there are a number of new productivity-raising enhancements.

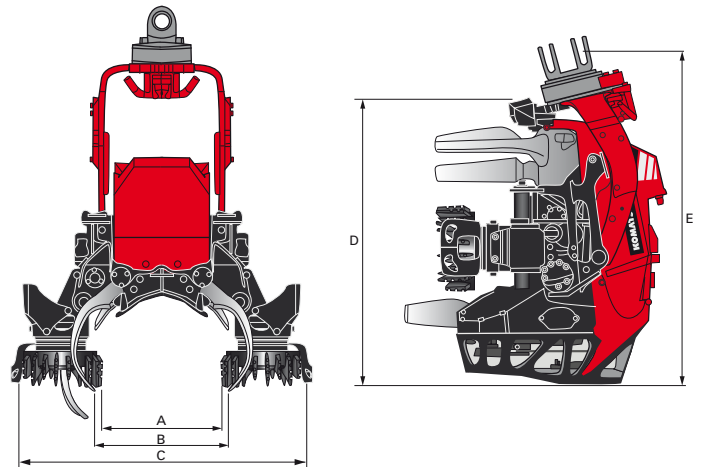
One of these is the new Constant Cut cutting unit with a fixed chain speed of 40 m/s that both speeds up cutting and minimises risks for chain shot and splitting. An especially good refinement is the new design of the rollers, which provides high feed pressure

without compromising smooth operation. Moreover, the multi-tree properties have been optimised thanks to the new rollers and the body roller in combination. Also significant is the raised body roller that enables more efficient handling of crooked trunks. Yet another new enhancement is the wide tilt angle of 40 degrees, which provides the fastest possible feed start and is easy on both the chassis and operator. Other significant benefits are patented length measuring, the improved energy efficiency of the hydraulics system, due to among other things, an actively controlled counter-pressure valve, as well as the excellent ease of service with centralised lubrication points. If you want both high profitability and dependability – choose the Komatsu C93!

TECHNICAL DATA

Komatsu C93 highlights

- New Constant Cut saw unit, new saw motor and new saw bar mount
- Constant Cut with constant 40 m/s chain speed – increases productivity and minimises risks for chain shot and splitting
- Integrated saw valve enables exact control of the saw motor's flow needs
- New, smoother-running feed rollers make feed and multi-tree handling more efficient
- Centralised body roller optimises handling of crooked trunks
- Tilt angle of 40 degrees enables faster feed start/increased productivity
- Three hydraulic delimiting knives, with the two at the front providing more efficient delimiting of trees that are difficult to delimit
- Patented length measuring with exact measurement accuracy and high reliability thanks to non-contact signal transmission
- New hydraulic valve with improved access
- Hydraulics system with higher energy efficiency due to among other things, a new actively controlled feed-pressure valve
- Safe and simple service, improved access around the valve assembly, centralised lubrication points
- The lubrication system Eco-GLS (optional) reduces the consumption of lubricant, reduces fuel consumption, eliminates oil mist and reduces environmental impact



Weight (dry weight):	from 970 kg
Feed rate:	0-5 m/s
Feed force, gross (motor dependent):	20.1/25.3 kN
Feed wheel type:	Steel rollers
Delimiting knives, max. amount:	4
Delimiting dia., tip-to-tip:	400 mm
Saw bar:	75 cm
Saw motor:	19 cm ³ /rev.
Felling diameter, theor. max:	600 mm
Requisite maximum hydraulic flow (motor dependent):	250/300 l/min
Requisite max. hydraulic pressure:	25 MPa

A Roller opening, max.	550 mm
B Opening front knives, max.	600 mm
C Width, max.	1,420 mm
D Height to upper knife	1,347 mm
E Height with rotator	1,543 mm

NB: Refers only to one of several possible dimensional configurations and the head's weight is dependent on equipment options.

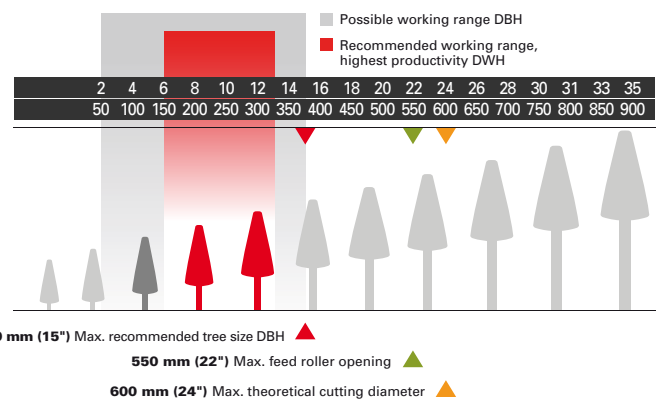
EQUIPMENT OPTIONS

Standard and extra equipment are market-dependent and vary between countries. Your sales representative has an up-to-date list of what is included.

Technical data/dimensions vary depending on optional equipment selected. Specifications and designs are subject to alteration without prior notice. Photos, diagrams, and figures do not always show the standard configuration.



ZONE OF APPLICATION



KOMATSU

Komatsu Forest AB
www.komatsuforest.com